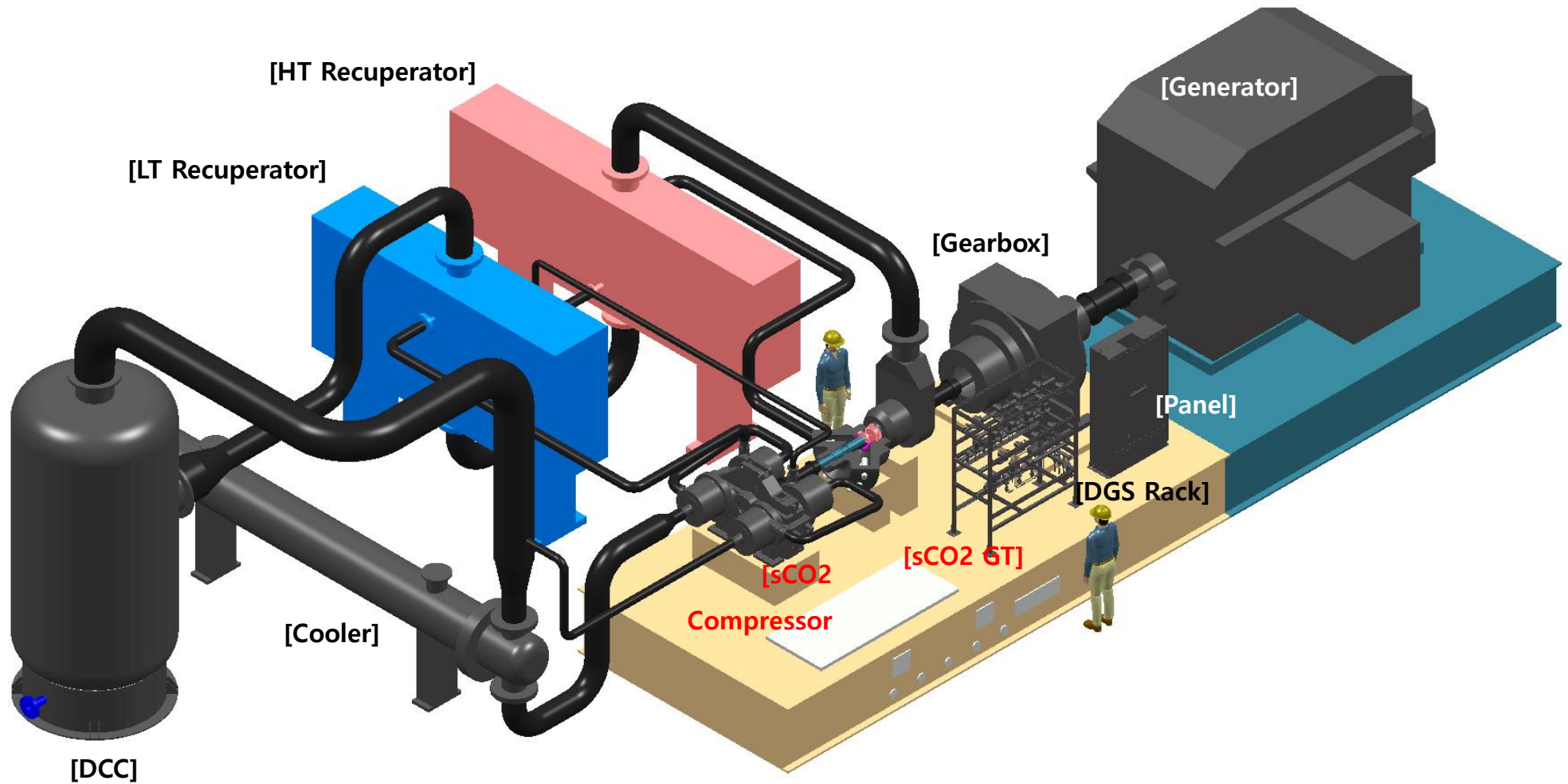


The Development Status of KEPCO Oxy-combustion supercritical CO₂ GT



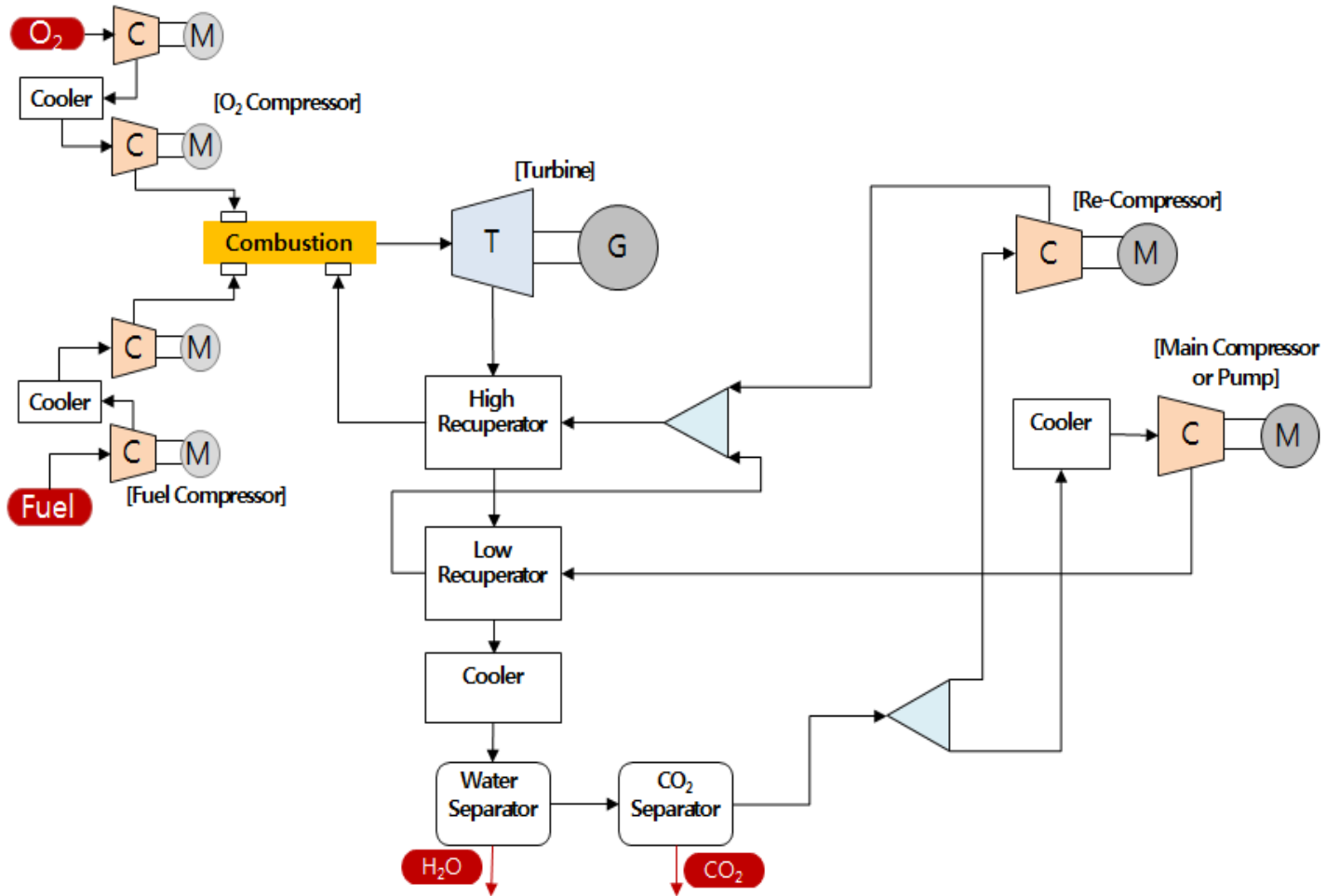
Oxy combustion GT Generation Plant(Concept)



* DCC : Direct Contact Cooler

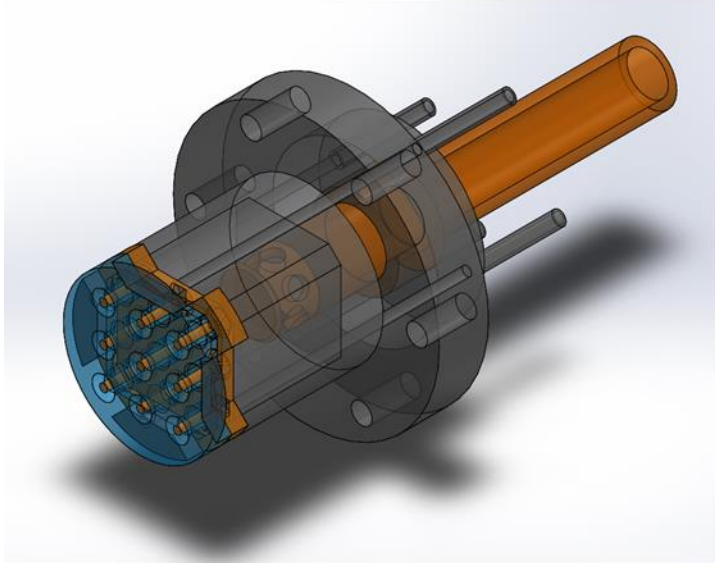
2 Cycle Developed

■ Oxy combustion GT Generation cycle basic design



3 Combustor – Injector

□ Injector Model

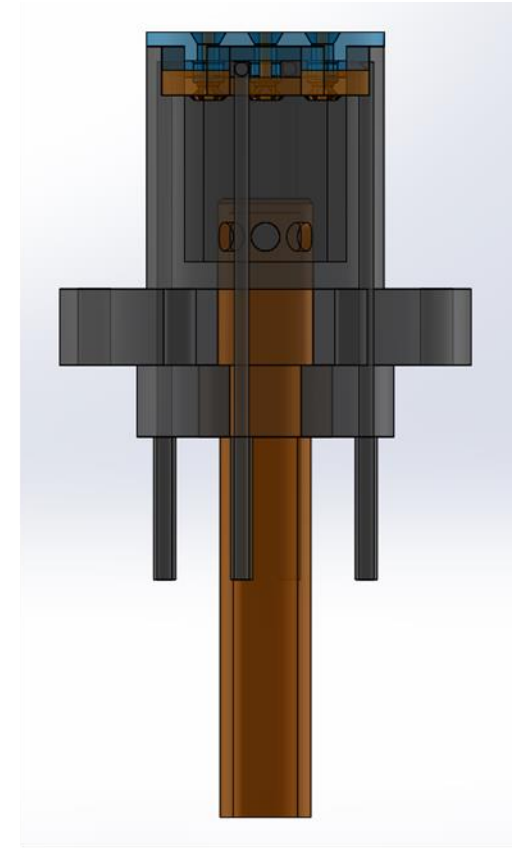


Isometric
View



Top View

Single Injector super-critical
combustion test (next page)



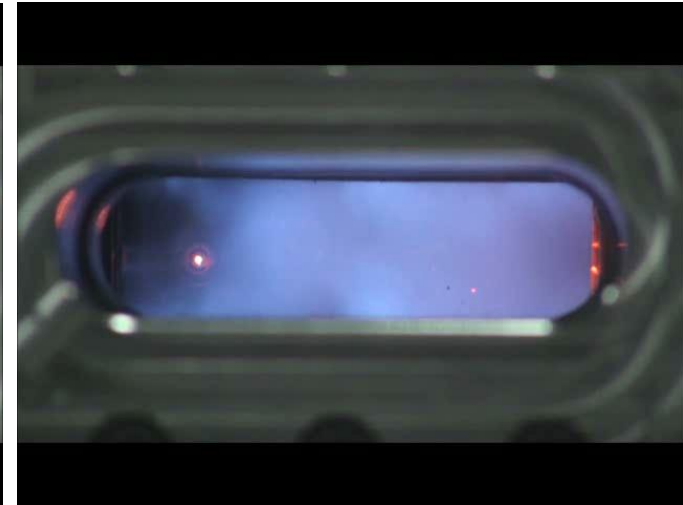
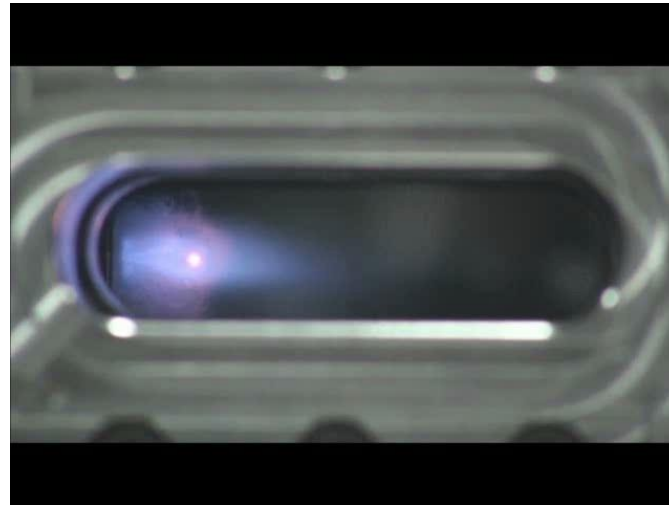
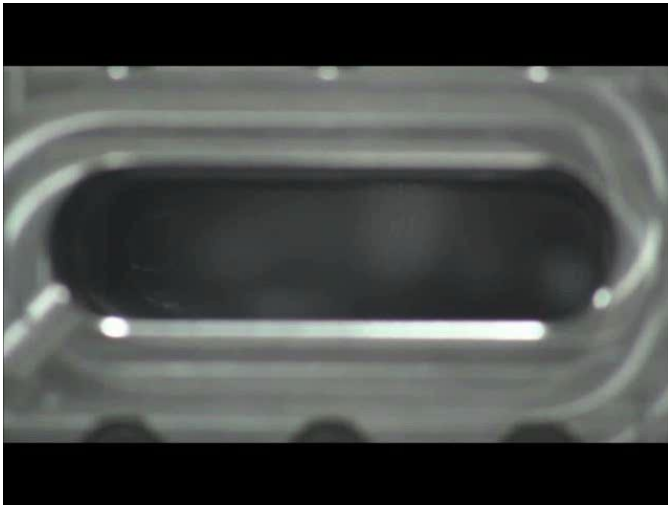
Front View

3 sCO₂ Injector – supercritical combustion test

● Pilot burner ignition (60")

● Main burner ignition (60")

● Power increasing (41")



Under Super-critical

Transition to super-critical

Super-critical

